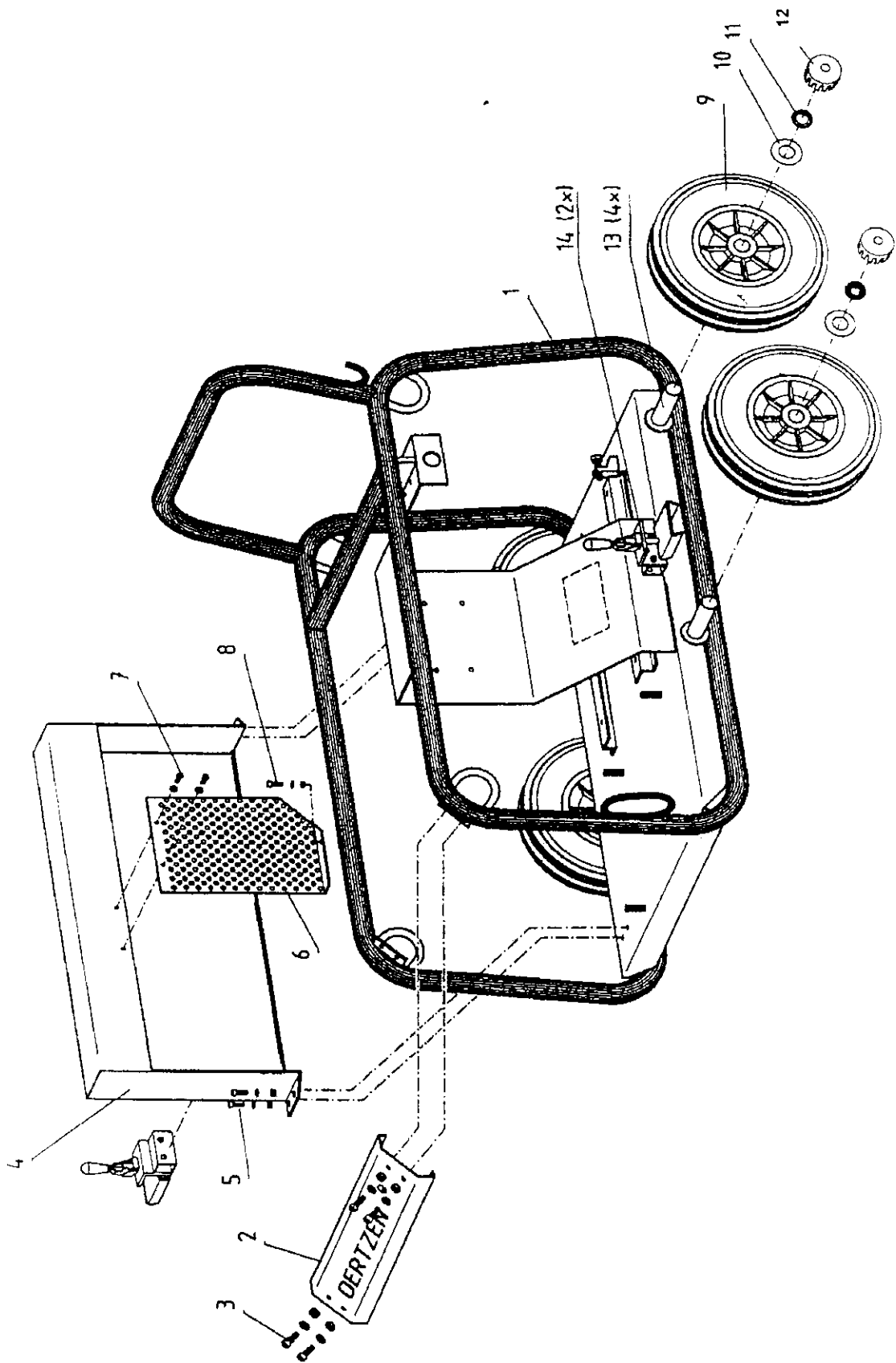


Ersatzteilliste E-500 Spare Parts List E-500



Index

- Nr.3010 Rahmen / Trolley
- Nr.3011 Motor-Pumpe-Wasserführung / Motor-Pump-Waterline
- Nr.3012 Schaltkasten / Elektrik Box
- Nr.4510 Pumpe / Pump



Ersatzteilliste / Spare Part List

Nr. 3010

Typ/Baugrp. E-500 Rahmen

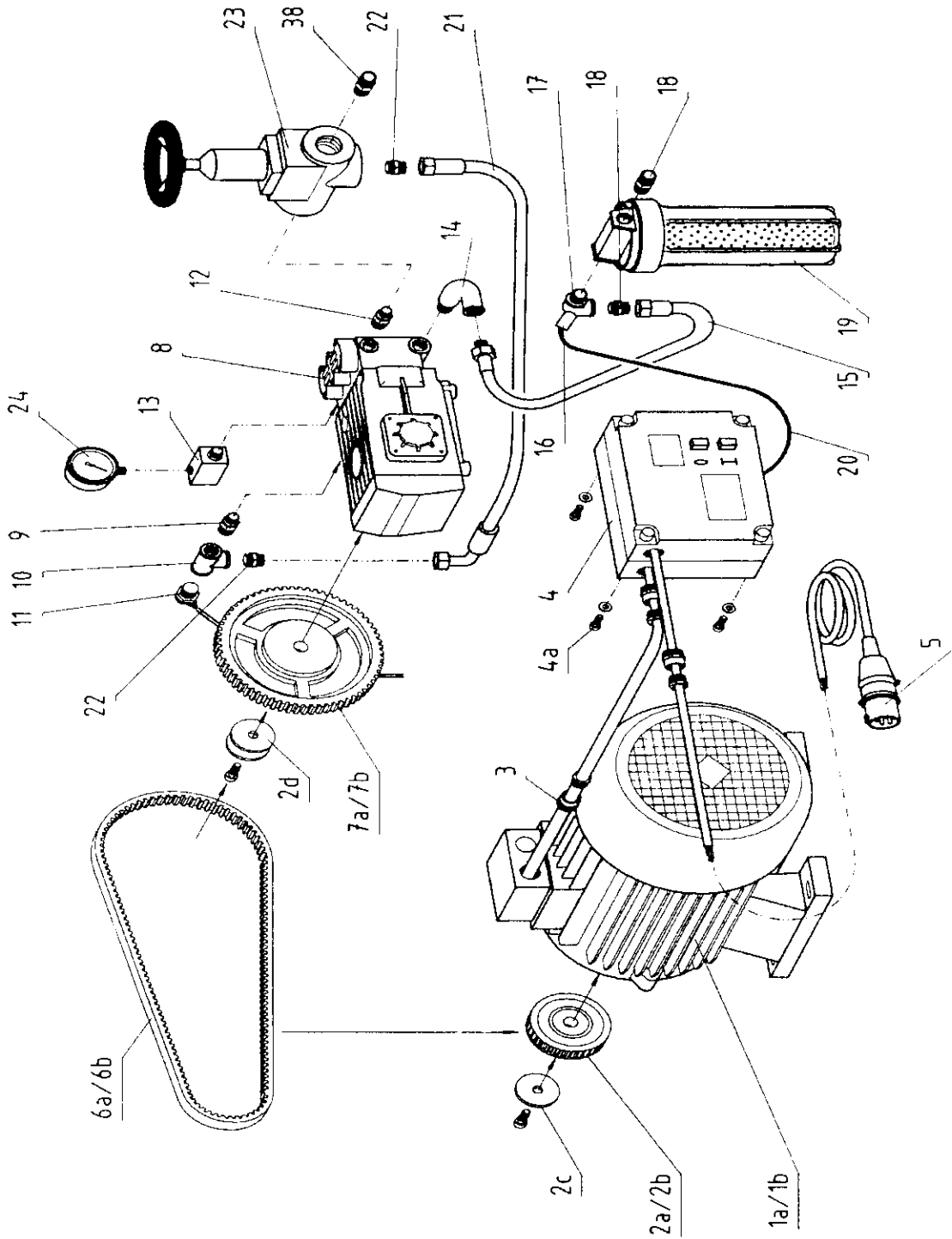
Seite 1

Model/Group E-500 Trolley

Datum 22-11-00



| Pos. | Nummer | Stk | Bezeichnung | Description |
|------|----------|-----|-------------------------------|---------------------------|
| Pos. | Part # | pcs | | |
| 1 | 10102278 | 1 | RAHMENANLAGE 500 E | Frame 500 E |
| 2 | 10000594 | 1 | STIRNBLECH 500E | Front Plate 500E |
| 3 | 15000218 | 4 | INBUSSCHRAUBE M 8x 30 | Allen Screw M 8 x 30 |
| 3a | 15000595 | 4 | SECHSKANTMUTTER M 8 | Hex. Nut M 8 |
| 3b | 15001281 | 4 | FEDERRING A 8 | Lock Washer 8mm |
| 4 | 10103140 | 1 | RIEMENABDECKUNG 500 E | Belt Protection 500 E |
| 5 | 15000218 | 4 | INBUSSCHRAUBE M 8x 30 | Allen Screw M 8 x 30 |
| 6 | 10101145 | 1 | LUFTSIEB 500 E | Air Strainer 500 E |
| 7 | 15000108 | 2 | SECHSKANTSCHRAUBE M 6x 12 | Hex Bolt M 6 x 12 |
| 7a | 15001295 | 2 | FEDERRING A 6 | Lock Washer 6mm |
| 8 | 15000108 | 1 | SECHSKANTSCHRAUBE M 6x 12 | Hex Bolt M 6 x 12 |
| 8a | 15001295 | 1 | FEDERRING A 6 | Lock Washer 6mm |
| 8b | 15000593 | 1 | SECHSKANTMUTTER M 6 | Hex. Nut M 6 |
| 9 | 10102208 | 4 | RAD 350mm 300M/500E/HDL250 | Wheel 350mm 300M/500E/HDL |
| 10 | 10102209 | 4 | RADKAPPENSATZ CPL. m.SCHEIBEN | Wheel Clip Kit |
| 14 | 10103135 | 2 | FESTSTELLBREMSE 500 E | Lock Break 500 E |



| Pos. Pos. | Nummer Part # | Stk pcs | Bezeichnung | Description |
|--------------|------------------|------------|----------------------------------|---|
| 1 | 10501018 | 1 | E-MOTOR 2POL 30PS 400V/50HZ LM | E1-Mot.2Pole 30HP 400V/50Hz LM |
| 2a | 10103097 | 1 | ZAHNRIEMENSCHLEIBE E500/50HzMOT | Tooth Belt Pulley 500 4/50 Hz |
| 2b | 10103098 | 1 | ZAHNRIEMENSCHLEIBE E500/60HzMOT | Tooth Belt Pulley 500 E/60 Hz |
| 2c | 10103093 | 1 | BEF.SCHR.PUMPE 500E 10x25 | Fixing Screw Pump E500 10X25 |
| 2d | 10103094 | 1 | BEF.SCHR.MOTOR 500E 16x30 | Fixing Screw Motor E500 16X30 |
| 3 | 10410059 | 3 | KABELVERSCHRAUBUNG PG21 ISO | Cable Inlet PG21 cpl. |
| 4 | 10409150 | 1 | E-KASTEN 500E LEERGEHAUSE | Electr. Switchgear w.o.Inlet |
| 4a | 10217135 | 4 | INBUSSCHRAUBE M 6x 30 | Allen Screw M 6 x 30 |
| 4b | 10006313 | 4 | FEDERRING A 6 VZ | Lock Washer 6mm Zinc plated |
| 5 | 10410028 | 1 | CEKON STECKER 5POL 63A | CEKON Plug, 5 Pole, 63 A |
| 6a | 10103102 | 1 | ZAHNRIEMEN D/E500(50Hz)PTR500 | Tooth Belt 500E/50Hz, 450/500D |
| 6b | 10103099 | 1 | ZAHNRIEMEN E500/60Hz | Tooth Belt 500E/60Hz |
| 7 | 10103100 | 1 | ZAHNRIEMENSCHLEIBE D/E500 PUMPE | Tooth Belt Pulley 450/500E/D |
| 8 | 10226080 | 1 | HD-PUMPE 271/500bar(22kW)1.000 | HP-Pump 271/500bar |
| 9 | 10003027 | 1 | REDUZIERNIPPEL 1"Mx1/2"M MS | Reduction Nipple 1" x 1/2" |
| 10 | 10003054 | 1 | T-STUECK 1/2" WWW MS | Tee 1/2" Bronze |
| 11 | 10306088 | 1 | THERMOVENTIL 60°C CHEM.VERNICK | Thermo Valve 60 °C Chem.Ni |
| 11a | 10306089 | 1 | RUECKSCHLAGVENTIL f10306091/94 | Check-Valve for 10.306.091/094 |
| 12 | 10103203 | 1 | SCHWERLASTNIPPEL 3/4"x1/2" VA | Heavy Nipple 3/4" x 1/2" INOX |
| 13 | 10406033 | 1 | MANOMETERVERTEILER | Manometer Flange |
| 14 | 10702003 | 1 | WINKELNIPPEL 90° F.HD-AUSGANG | Angle HP-Nipple 500E |
| 15 | 10702106 | 1 | SAUGSCHLAUCH m. ARMATUR 205mm | Suction Hose w. Coupl. 205 mm |
| 16 | 10409164 | 1 | ED 10409165 DRUCKSCHALTER | Rplcd.by 10409165 PressSwitch |
| 16 | 10409165 | 1 | DRUCKSCHALTER (SCHLIESSER)230V | Pressure Switch (Closing) 230V |
| 16 | 10409166 | 1 | DRUCKSCHALTER (SCHLIESSER)230V | Pressure Switch (Closing) 230V |
| 17 | 10003056 | 1 | WINKEL 3/4" I/A MS | Elbow 3/4" i/a Bronze |
| 17 | 10003053 | 1 | T-STUECK 3/4" WWW MS | Tee 3/4" |
| 17 | 10002058 | 1 | REDUZIERSTUECK 3/4"Mx1/4"W MS | Reduction Fitting 3/4" x 1/4" |
| 18 | 10003006 | 2 | DOPPELNIPPEL 3/4" MM KURZ MSCN | Double Nipple 3/4" Chem. Nick. |
| 18a | 10003032 | 1 | GEWINDENIPPEL 3/4"x 40 MS | Threaded Nipple 3/4" x 40 |
| 18b | 10002084 | 1 | MUTTER 3/4" MS | Nut 3/4" Brass |
| 19 | 10000951 | 1 | MICROFILTER F. 9.75"FILTERKERZEN | Micro Strainer f.9.75"Inserts |
| | 10000942 | 1 | FILTERKERZE 9.75"50µ(1STCK) | Filter Cartridge 9.75"/50µ 1pc |
| | 10000937 | 1 | FILTERKERZE 9.75"50µ(5STCK) | Filter Cartridge 9.75" 50µ 5pc |
| | 10000944 | 1 | FILTERKERZE 9.75"50µ(10STCK) | Filter Cartr. 9.75" 50µ 10 pcs |
| 20 | 10409165 | 1 | DRUCKSCHALTER (SCHLIESSER)230V | Pressure Switch (Closing) 230V |
| 21 | 10702002 | 1 | UMLAUFSCHLAUCH E500 AB 09/96 | HP-Hose SW NW 12 4St 430mm |
| 22 | 10703051 | 2 | EINSCHRAUBNIPPEL | Male Stud Connect. |
| 23 | 10304220 | 1 | HD-STEUERVENTIL 500bar/HANDRAD | HP-Unloader 500bar w.Handwheel |
| 23a | 10304221 | 1 | ED 10304219 REP.SATZ 10304220 | Repl.10304219 |
| 23a | 10304219 | 1 | REP.SATZ f.10304220 UL E500 | RepKit for U1 500E 10304220 |
| 23b | 10304230 | 1 | HD-STEUERVENTIL 500BAR >11/01 | HP-Unloader 500bar>Bj.11/01 |
| 23c | 10304231 | 1 | REP.SATZ f.10304230 | Replit for 10304230 |
| 23d | 10304362 | 1 | HD-STEUERVENT.80l/min 500barVA | HPUnloader 80l/min 500bar INOX |
| 23e | 10304364 | 1 | REP.SATZ f.10304360/10304362 | Ab 04.2005 #14050501 RepKit f. 10304360/10304362 |

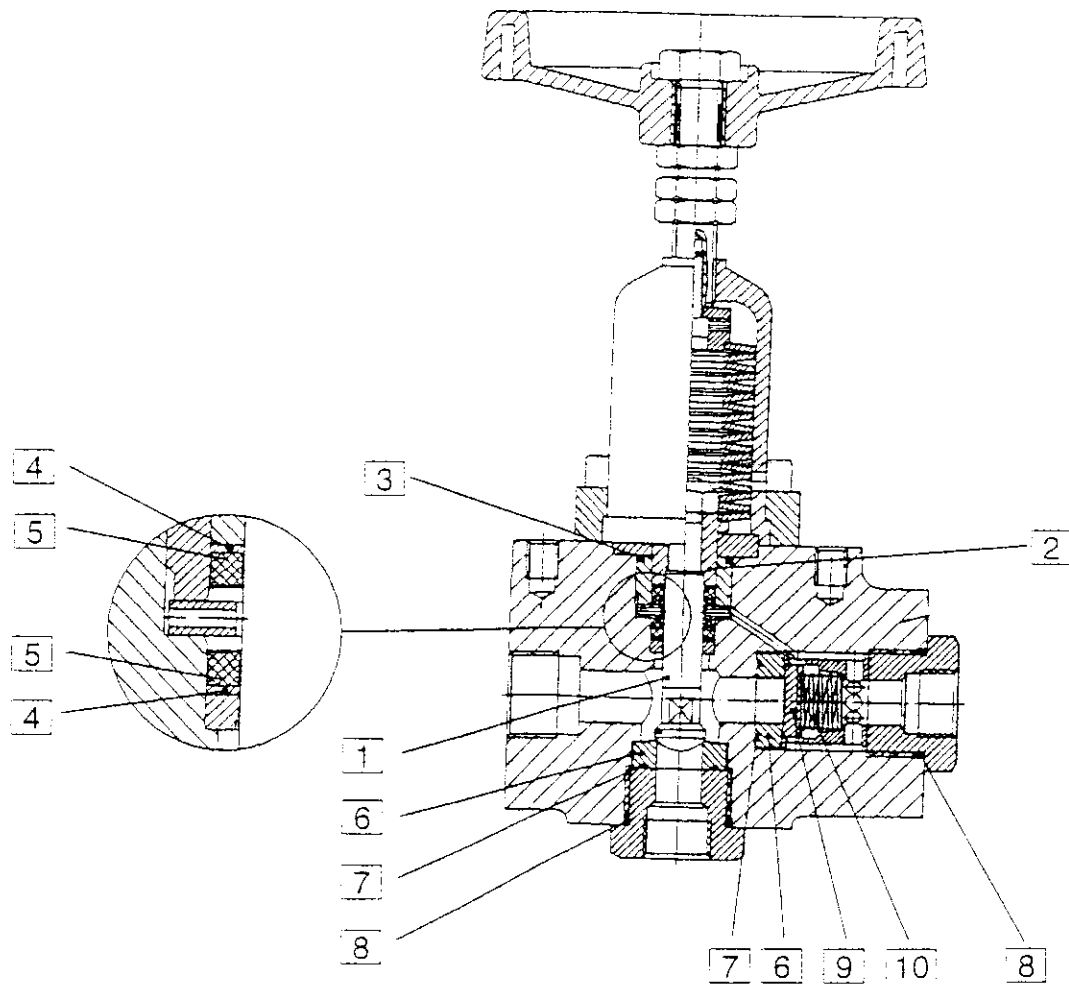
Ersatzteilliste / Spare Part List
 Typ/Baugrp. E500 MOTOR,PUMPE,WASSERFÜHRUNG
 Model/Group E500 Motor-Pump-Waterline

Nr. 3011
 Seite 2
 Datum 13-12-04



| Pos. Pos. | Nummer Part # | Stk pcs | Bezeichnung | Description |
|--------------|------------------|------------|--|---|
| 24 | 10406032 | 1 | STANDMANOMETER 0-600BAR GLYC.K | Pressure Gauge 0-600 bar(Glyc) |
| 28 | 10703138 | 1 | HV-ANSCHLUSSNIPPEL 1/2"a x OE2 | Outlet Connector 1/2"xM22x1,5 |
| 29 | 10410006 | 5 | m ELEKTROKABEL 4x 6,0mm ² OELF. | Cable(oil resistant)4x6mm ² p.m. |
| 38 | 10703138 | 1 | HV-ANSCHLUSSNIPPEL 1/2"a x OE2 | Outlet Connector 1/2"xM22x1,5 |

Steuerventil (Unloader valve) 500 bar



- | | |
|-------------------------------------|--------------------------------|
| 1 Ventilstange (Valve stem) | 6 Ventilsitz (Valve seat) |
| 2 Dichtungsstützteil (Seal support) | 7 O-Ring |
| 3 O-Ring | 8 O-Ring |
| 4 Stützring (Back-up ring) | 9 Ventilplatte (Valve poppet) |
| 5 Nutring-Dichtsatz (Seal set) | 10 Ventilfeeder (valve spring) |

Best.-Nr: 10.304.221 (Reparatur-Kit)

Ersatzteilliste / Spare Part List

Typ/Baugrp. HD-STEUER.E500 10304230 11/01

Model/Group HD-Unload.E500 10304230 11/01

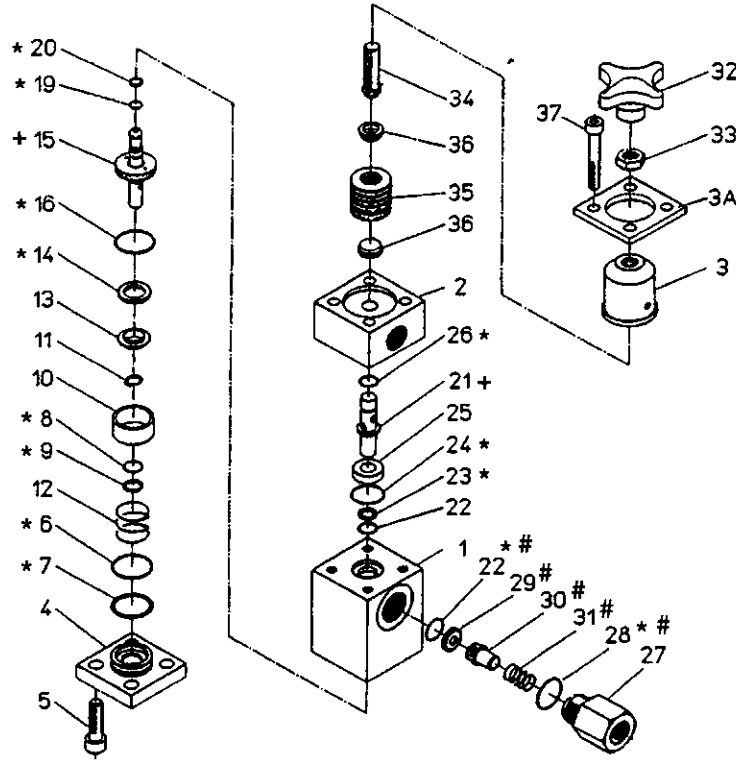
Nr. 4527

Seite 1

Datum 22-10-04

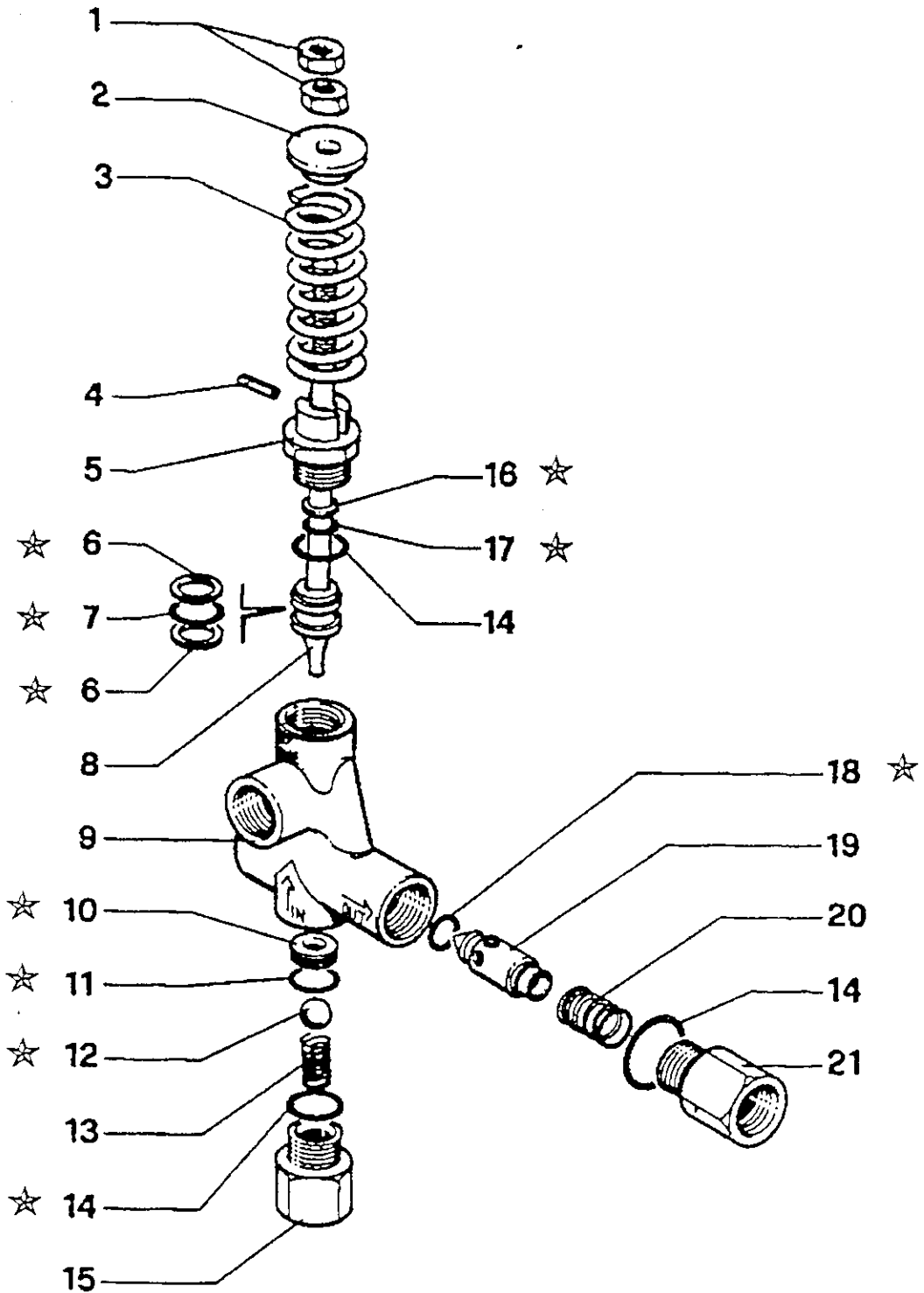


... for a cleaner world ☀



| Pos. Pos. | Nummer Part # | Stk pcs | Bezeichnung | Description |
|--------------|------------------|------------|--------------------------------|------------------------------|
| | 10304230 | 1 | HD-STEUERVENTIL 500BAR >11/01 | HP-Unloader 500bar |
| | 10304231 | 1 | REP.SATZ f.10304220 | Repkit for 10304230 |
| | 10304232 | 1 | REP.SATZ MIT VENTIL+VENTILSITZ | RepKit Valve15+Valve seat 21 |
| | 10304233 | 1 | REP.KIT RUECKSCHLAGV.f10304220 | Repkit non return valve |
| | | | | * Parts included |
| | | | | * + Parts included |
| | | | | # Parts included |

E500/E500-17



Ersatzteilliste / Spare Part List

Typ/Baugrp. 400/500/-17 UMLAUFV.400-500BAR

Model/Group E400/500/-17 Unl.V.400-500bar

Nr. 3005

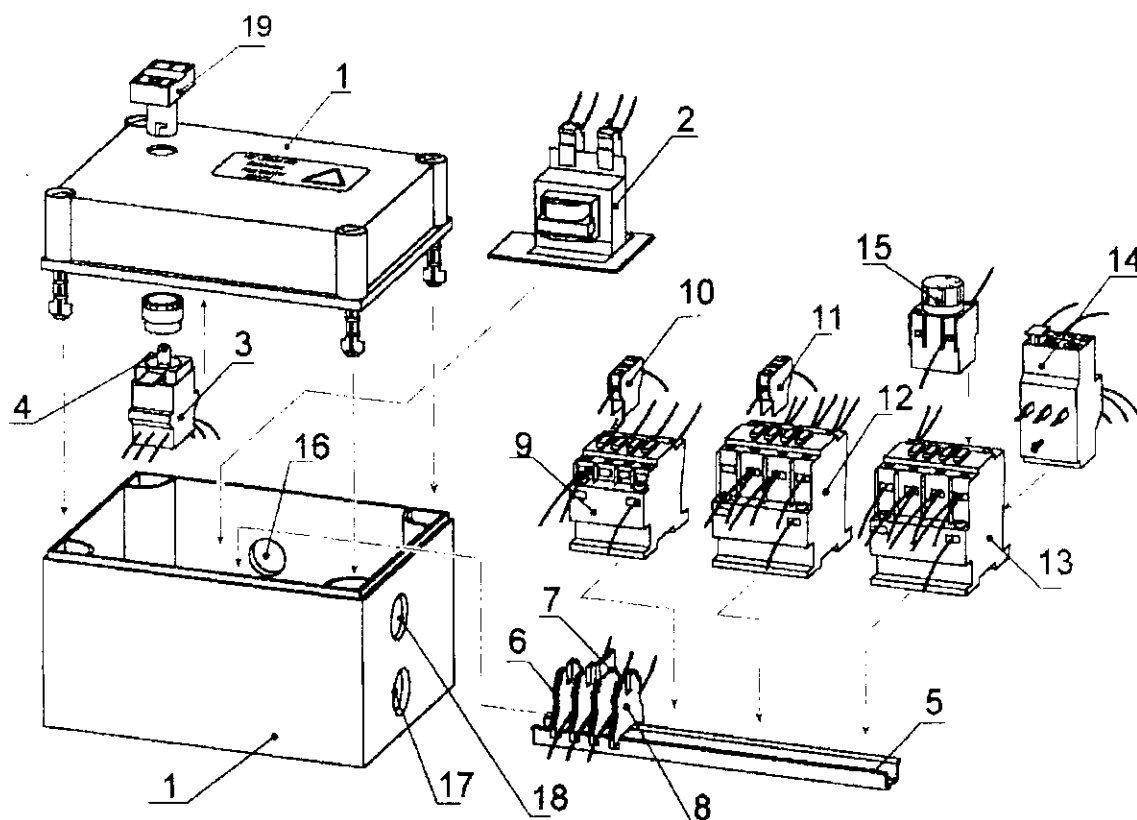
Seite 1

Datum 03-11-00

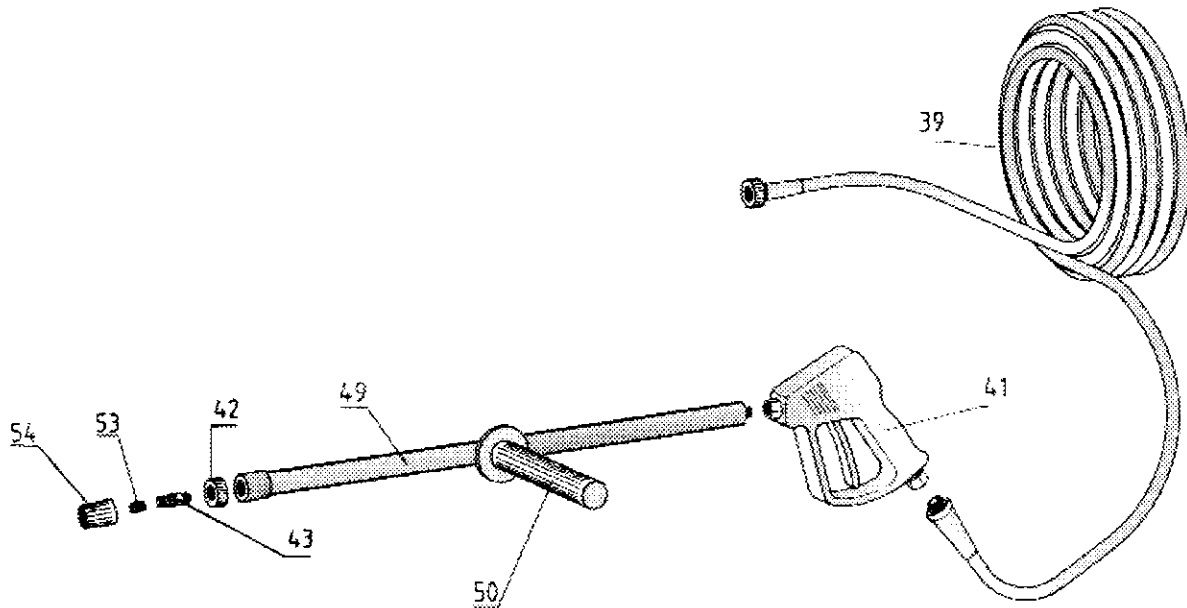


... for a cleaner world

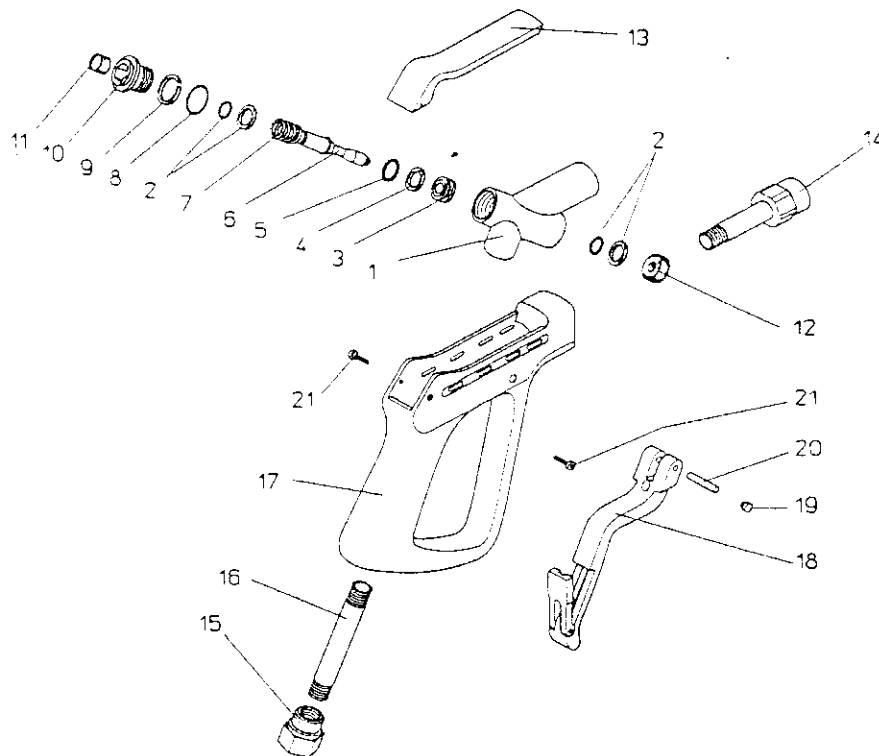
| Pos. Pos. | Nummer Part # | Stk pcs | Bezeichnung | Description |
|--------------|------------------|------------|--------------------------------|---|
| | 10304360 | | HD-STEUERVENT.80l/min 400barVA | HPUnloader 80l/min-400bar blk |
| | 10304362 | | HD-STEUERVENT.80l/min 500barVA | Consisting of: HPUnloader 80l/min 500bar INOX |
| 1 | 10304355 | 1 | HANDRAD F. HD-STEUERVENTIL | Hand Wheel for Unloader Valve |
| 1 | 15000597 | 1 | SECHSKANTMUTTER M10 | Hex Nut M10 |
| 2 | 10304356 | 1 | DRUCKLAGER UL-VENT.1030435./60 | Axial Bearing Unloader |
| 2 | 10304372 | 1 | FEDERLAGER | Spring Centering Disk |
| 3 | 10304373 | 1 | FEDER (SCHWARZ) f.10304360 | Spring (Black) |
| 4 | 10304374 | 1 | STIFT | Pin |
| 5 | 10304375 | 1 | FUEHRUNGSSCHRAUBE | Guiding Screw |
| 6* | | | | Back-up Ring |
| 7* | | | | O-Ring 13,1 x 2,62 |
| 8 | 10304376 | 1 | KOLBENSTANGE | Piston Rod |
| 9 | 10304361 | 1 | GEHAEUSE UMLAUFVENTIL VA | Unloader Valve Housing INOX |
| 10* | | | | Valve Seat |
| 11* | 11120182 | 1 | O-RING 12,42x1,78 Sonder | O-Ring 12,42x1,78 |
| 12* | | | | Valve Ball INOX |
| 13 | 10304377 | 1 | FEDER | Spring |
| 14* | 10226446 | 2 | O-RING 20,35x1,78 Sonder | O-Ring 20,35 x 1,78 90sh |
| 15 | 10304378 | 1 | ANSCHLUSSNIPPEL BYPASS | Connection Nipple By-pass |
| 16* | | | | Back-up Ring |
| 17* | | | | O-Ring 9,93x2,62 |
| 18* | 10304391 | 1 | O-RING 8,00x4,00 Sonder | O-Ring 8,00 x 4,00 |
| 19 | 10304379 | 1 | RUECKSCHLAGVENTIL | Non-Return Valve |
| 20 | 10304380 | 1 | FEDER | Spring |
| 21 | 10304381 | 1 | FUEHRUNGSSCHRAUBE | Guiding Screw |
| * | 10304364 | | REP.SATZ f.10304360/10304362 | Spare Part Kit for 10304360 consists of # 6,7,10,11,12, 14,16,17,18 |



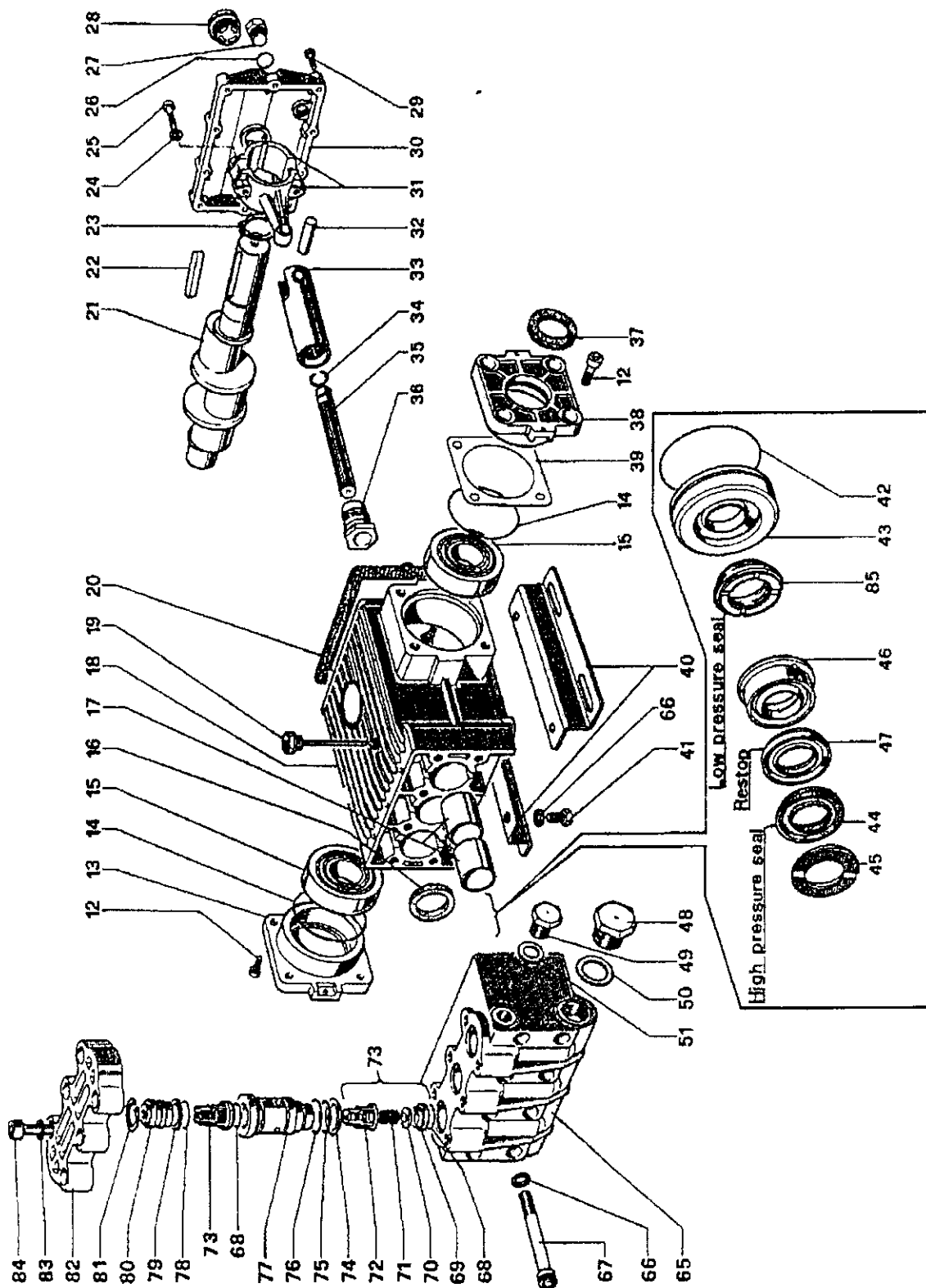
| Pos. Pos. | Nummer Part # | Stk pcs | Bezeichnung | Description |
|--------------|------------------|------------|--------------------------------------|-----------------------------------|
| 1 | 10409150 | 1 | E-KASTEN 500E LEERGEHAUSE | Electr. Switchgear w.o.Inlet |
| 2 | 10409159 | 1 | TRANSFORMATOR 400/24V/50/60HZ | Transformer 400/24 V/50/60 Hz |
| 3 | 10409161 | 1 | KONTAKT O FÜR 500E | Contact O for 500 E |
| 3a | 10409160 | 1 | KONTAKT S FÜR 500E | Contact S for 500E |
| 3b | 10409157 | 1 | LAMPENFASSUNG FÜR 500E | Lamp Holder f. 500E |
| 4 | 10409177 | 1 | GLUEHLAMPE 24V 1,2W | Lamp 24V 1,2W |
| 5 | 10409163 | 1 | MONTAGESCHIENE | Mounting Plate |
| 6 | 10409173 | 1 | REIHENKLEMME 2,5mm ² grau | Terminal 2,5 mm ² grey |
| 7 | 10409181 | 1 | SICHERUNGSKLEMME 6mm ² | Fuse Holder |
| 8 | 10409180 | 1 | REIHENKLEMME WPE 6 mm ² | Terminal 6 mm ² |
| 9 | 10409152 | 1 | STERNSCHÜTZ FÜR 500E | Star Relais 500E |
| 9a | 10409170 | 1 | STERNBRUECKE | Star Jumper |
| 10 | 10409162 | 1 | HILFSKONTAKT FÜR 500E | Auxiliary Contact f. 500E |
| 11 | 10409162 | 1 | HILFSKONTAKT FÜR 500E | Auxiliary Contact f. 500E |
| 12 | 10409151 | 1 | NETZSCHÜTZ FÜR 500E | Main Relais 500E |
| 13 | 10409151 | 1 | NETZSCHÜTZ FÜR 500E | Main Relais 500E |
| 14 | 10409154 | 1 | THERMORELAIS FÜR 500E | Thermo Relay for 500 E |
| 15 | 10409156 | 1 | ZEITRELAIS FÜR 500E | Time Relay f. 500 E |
| 16 | 10410053 | 1 | KABELVERSCHRAUBUNG PG13,5 ISO | Cable Inlet, cpl.PG13,5 |
| 17 | 10410059 | 1 | KABELVERSCHRAUBUNG PG21 ISO | Cable Inlet PG21 cpl. |
| 18 | 10410071 | 1 | KABELVERSCHRAUBUNG PG 21 KS | Cable Inlet PG 21 w.Cable Lock |
| 19 | 10409155 | 1 | EIN-AUS-TASTER 500E | On/Off Push Button 500 E |



| Pos. Pos. | Nummer Part # | Stk pcs | Bezeichnung | Description |
|--------------|--|------------|---|--|
| 39 | 10702064 10702066 10702077 10702084 | 1 | PANZERJET 10m SCHL.600bar ISO PANZERJET 20m SCHL.600bar ISO PANZERJET 50m SCHL.600bar ISO TRANSPORTSCHLAUCH 50m NW10/600 | PANZERJET HPHose 10m 600barISO PANZERJET HPHose 20m 600barISO PANZERJET HPHose 50m 600barISO Transport Hose 50m DN10/600bar ab/from 09/2003 on: |
| 41 | 10708054 10704900 10704901 10704906 10704909 10704908 | 1 | ENTDRALLUNGSGELENK 500bar V2A HD-SICH-PISTOLE(SERVO)500barVA REP.SATZ f.10704900 <4/97 TiN REP.SATZ f.10704900 <4/97 oTiN REP.SATZ f.10704900 >3/97 TiN REP.SATZ f.10704900 >3/97 oTiN | HP-Hose Swivel 500bar INOX HP-Safety Pistol 500bar INOX RepKit f.10704900 <4/97 TiN RepKit f.10704900 <4/97w/o TiN RepKit f.10704900 >3/97 TiN RepKit f.10704900 >3/97w/o TiN |
| 42 | 10703136 | 1 | HV-MUTTER ROT V2A OE2/600bar | Hand Nut, red OE2 INOX |
| 43 | 10703137 | 1 | HV-STECKNIPPEL 1/4"a konisch | Connect.Nipple 1/4"a conic.OE2 |
| 49 | 10704903 10704902 10704904 | 1 | HOCHDRUCKLANZE 700mm/500barVA HOCHDRUCKLANZE 500mm/500barVA HOCHDRUCKLANZE 1000mm/500barVA | HP-Wand 700mm/500bar INOX HP-Wand 500mm/500bar INOX HP-Wand 1.000mm/500bar INOX |
| 50 | 10704907 | 1 | STUETZGRIFF F.1/2"LANZE 500BAR | SupportHandle 1/2" 500bar |
| 53 | 10742338 | 1 | HIP-STRAHLDUESE 2338(05) | HIP Nozzle 2338 (05) |
| 54 | 10703131 | 1 | HV-WECHSELNIPPEL 1/4"i x OE2 | Connect.Nipple 1/4"i x OE2 |
| | 10004060 | 1 | DOPPELNIPPEL 1/4"MM V4A | Double Nipple 1/4" INOX |
| | 10710105 | 1 | EEX-DUESENSCHUTZ FUER LANZE MS | Brass NozzleHolder EX-Models |



| Pos. Pos. | Nummer Part # | Stk pcs | Bezeichnung | Description |
|--------------|------------------|------------|----------------------------------|---|
| 1-21 | 10704900 | 1 | HD-SICH-PISTOLE (SERVO) 500barVA | HP-Safety Pistol 500bar INOX |
| 1 | 10704920 | 1 | DRUCKGEHAUSE | Stainless Steel Housing |
| 10 | 10704921 | 1 | VERSCHLUSSKAPPE | Cap |
| 13 | 10704922 | 1 | KUNSTSTOFFDECKEL ROT | Plastic Cover Red |
| 14 | 10704923 | 1 | AUSGANG | Outlet |
| 15 | 10704924 | 1 | EINGANGSMUTTER | Inlet Nut |
| 16 | 10704925 | 1 | ROHR EINGANG | Pipe Inlet |
| 17 | 10704926 | 1 | KUNSTSTOFFGEAUSE | Plastic Housing |
| 18 | 10704927 | 1 | ABZUGSHEBEL | Trigger compl. red |
| 19 | 10704928 | 2 | BLINDSTOPFEN | Plug |
| 20 | 10704929 | 1 | KNEBELKERBSTIFT | Pin |
| 21 | 10704930 | 2 | SCHRAUBE VA | Srew |
| | 10704908 | 1 | REP.SATZ f.10704900 >3/97 oTiN | RepKit f.10704900 >3/97w/o TiN Pos.2-3-4-5-7-8-9-11-12 |
| | 10704909 | 1 | REP.SATZ F.10704900 >3/97 TiN | RepKit f.10704900 >3/97 TiN Pos.2-3-4-5-6-7-8-9-11-12 |



| Pos. | Nummer | Stk | Bezeichnung | Description |
|------|----------|-----|---------------------------------|-------------------------------|
| Pos. | Part # | pcs | | |
| 12 | 10226011 | 8 | SCHRAUBE | Screw |
| 13 | 10226012 | 1 | LAGERFLANSCH | Bearing Flange |
| 14 | 10226013 | 2 | O-RING 85,32x3,53 Sonder | O-Ring 85,32x3,53 |
| 15 | 10226014 | 2 | LAGER | Bearing |
| 16 | 10226015 | 3 | WEDI 35x52x 7 Sonder | Oil Seal 35x52x7 Special |
| 17 | 10226016 | 6 | FUEHRUNGSHUELSE | Guiding Bushing |
| 18 | 10226017 | 1 | PUMPENGEHAEUSE | Crankcase |
| 19 | 10226018 | 1 | PEILSTAB | Dip Stick |
| 20 | 10226019 | 1 | DECKELDICHTUNG | Gasket |
| 21 | 10226020 | 1 | KURBELWELLE 27L/500BAR | Crankshaft 27 l/500 bar |
| 22 | 10226021 | 1 | PASSFEDER 10x 8x55 | Key 10 x 8 x 55 |
| 23 | 10226022 | 1 | SEEGERING | Retaining Ring |
| 24 | 10226023 | 6 | FAECHERSCHEIBE A10,5/VZ/GEH. | Schnorr Disc 10,5/VZ/Housing |
| 25 | 10226024 | 6 | SCHRAUBE | Screw |
| 26 | 10226025 | 2 | O-RING 13,95x2,62 Sonder | O-Ring 13,95 x 2,62 |
| 27 | 10226026 | 1 | STOPFEN 3/8" MS PUMPE | Brass Plug 3/8" Pump |
| 28 | 10217128 | 1 | OELSCHAUGLAS | Oil Eye |
| 29 | 10226027 | 10 | SCHRAUBE | Screw |
| 30 | 10226028 | 1 | GETRIEBEBECKEL | Gear Box Cover |
| 31 | 10226029 | 3 | PLEUEL BRONZE | Bronze Connecting Rod |
| 32 | 10226030 | 3 | PLEUELBOLEN | Connecting Rod Pin |
| 33 | 10226031 | 3 | FUEHRUNGSKOLBEN | Guiding Piston |
| 34 | 10226032 | 3 | SICHERUNGSRING | Locking Ring |
| 35 | 10226033 | 3 | PLUNGER (KERAMIK-VERBUNDBESCH.) | Ceramic Plunger |
| 36 | 10226034 | 3 | PLUNGERVERSCHRAUBUNG | Plunger Union |
| 37 | 10226035 | 1 | WEDI 35x52x 8 Sonder | Oil Seal 35x52x8 Special |
| 38 | 10226036 | 1 | LAGERFLANSCH | Bearing Flange |
| 39 | 10226037 | 1 | DISTANZSCHEIBE 0,1mm | Gasket |
| 40 | 10226048 | 2 | MONTAGESCHIENE | Mounting Bar |
| 42 | 10226038 | 3 | O-RING 60,00x2,62 Sonder | O-Ring 60,00 x 2,62 |
| 43 | 10226039 | 3 | BODENRING | Bottom Ring |
| 44 | 10218153 | 6 | MANSCHETTE 20mm 280bar (240E) | Seal (reinforced) 20mm/280bar |
| 45 | 10218154 | 6 | SPREIZRING 20/200 | Spreader Ring 20mm |
| 46 | 10226040 | 3 | KOLBENFUEHRUNG | Piston Guide |
| 47 | 10226041 | 3 | MANSCHETTEN-FUEHRUNG | Seal Support |
| 65 | 10226060 | 1 | ZYLINDERKOPF 500bar | Cylinder Head 500 bar |
| 66 | 10226003 | 12 | SCHNORRSCHLEIBE | Schorr Disc |
| 67 | 10226067 | 8 | SCHRAUBE | Screw |
| 68 | 10226063 | 6 | O-RING 21,89x2,62 | O-Ring 21,89 x 2,62 |
| 69 | | | | |
| 70 | | | | 68-72 Pos.73 |
| 71 | | | | |
| 72 | | | | |
| 73 | 10226065 | 1 | SATZ VENTILE (6 STCK.) | Pump Valve Kit 500bar (6pcs.) |
| 74 | 10226073 | 3 | KONUSRING F. O-RING | Conical Ring f. O-Ring |
| 75 | 10226066 | 3 | O-RING 31,34x3,53 | O-Ring 31,34 x 3,53 |
| 76 | 10226074 | 3 | O-RING 34,60x2,62 | O-Ring 34,60 x 2,62 |
| 77 | 10226068 | 3 | VENTILTRAEGER | Valve Support |
| 78 | 10226069 | 3 | O-RING 23,47x2,62 Sonder | O-Ring 23,47 x 2,62 |
| 79 | 10226070 | 3 | KONUSRING F. O-RING | Back-up Ring f. O-Ring |
| 80 | 10226071 | 3 | NIEDERHALTER | Holding Down Device |

| Pos. | Nummer | Stk | Bezeichnung | Description |
|------|----------|-----|--------------------------------|--------------------------------|
| Pos. | Part # | pcs | | |
| 81 | 10226072 | 3 | SICHERUNGSRING | Locking Ring |
| 82 | 10226061 | 1 | VENTILDECKEL | Valve Cover |
| 83 | 10226053 | 6 | FAECHERSCHEIBE A14,5/VZ/GEH. | Schnorr Disc 14,5/VZ/Housing |
| 84 | 10226054 | 6 | INBUSSCHRAUBE M14x 50 12.9 | Allen Screw M 14 x 50 12.9 |
| | | | | Kit |
| | 10226047 | 1 | MANSCHETTENKIT 500 BAR (3X) | SealKit 500bar(3sets)Softparts |
| | 10226046 | 3 | PLUNGER-HARDPARTKIT 500BAR(1x) | Piston HardPartKit 500bar (1x) |
| | 10226065 | 1 | SATZ VENTILE (6 STCK.) | Pump Valve Kit 500bar (6pcs.) |
| | 10226078 | 1 | ZYL.KOPF 500BAR CPL./WATER END | Cylinder Head 500 bar compl. |
| | 10226079 | 1 | PUMPENGETRIEBE 500BAR (CPL.) | Pump Gear 500 bar complete |

| Teil-Nr. | Benennung | Kit für Pumpe 10.226.080 | | | | | | | | | | | |
|------------|-------------------------------|--------------------------|----|----|----|----|----|----|----|---|---|---|---|
| | | Pos. | 44 | 47 | 85 | | | | | | | | |
| 10.226.047 | Rep.-Satz Manschette | Menge | 3 | 3 | 3 | | | | | | | | |
| | | Pos. | 44 | 47 | 85 | | | | | | | | |
| 10.226.046 | Manschetten-Kit Hard Parts | Menge | 1 | 1 | 1 | 1 | 1 | 1 | 1 | 1 | 1 | 1 | 1 |
| | | Pos. | 42 | 43 | 44 | 45 | 46 | 47 | 85 | | | | |